



## TVL F1CW™

sku# **TVL298**

The new TVL F1CW™ features a 100W Cool White 5,600K LED engine, motorized 12°-40° zoom, no noise thermo-optical cooling, DMX controlled dimmer and zoom, flicker free operation for TV and FILM, 5pin DMX in/out, powerCon, 2 Ethernet (RJ45) connections, integrated yoke / handle, 141W max consumption, and a multi-voltage universal auto switching power supply (100-240v).

### FEATURES

- 100W Cool White 5,600K LED Engine**
- 50,000 Hour Average Life LED**
- 12° - 40° Motorized Zoom**
- No Noise Thermo-Optical Cooling Technology**
- DMX Controlled Dimmer/Zoom**
- Integrated Yoke/ Handle**
- Flicker Free Operation for TV and FILM**
- AC 100-240V / 50-60Hz / 141W Max Consumption**



**PRODUCT SPECIFICATIONS**

**FEATURES**

- 12° - 40° Motorized Zoom
- DMX Controlled Dimmer/Zoom
- Flicker FREE Operation for TV and FILM
- No Noise Thermo-Optical Cooling Technology

**SOURCE**

- (1) 100W Cool White LED Engine
- 50,000 Hour Average Life

**PHOTOMETRIC DATA**

High CRI = 95 / 34.64 Lm/W 5,600K (± 200K)  
 3,350 Max LUX @5M (12° Full On 5,600K)

**EFFECTS**

- Zoom: 12° - 40°
- Dimming: 0% - 100%

**CONTROL / CONNECTIONS**

- 4 Button Control LED Menu Display Panel
- 2 DMX Channels
- 5pin DMX In/Out
- 2 Ethernet (RJ45) Ports
- powerCON Power In

**SIZE / WEIGHT**

- Length: 20.4" (519 mm)
- Width: 16" (407 mm)
- Vertical Height: 17.4" (442 mm)
- Weight: 35 lbs. (15.8 kg)

**ELECTRICAL / THERMAL**

- AC 100-240V - 50/60Hz
- 141W Max Power Consumption
- 40°C / 104°F Max Ambient Temperature

**APPROVALS / RATINGS**

- CE pending
- cETLus pending
- IP20 Rated

**INSTALLATION**

- Rigging: Clamps (Not Included)
- Working Position: Any (360°)

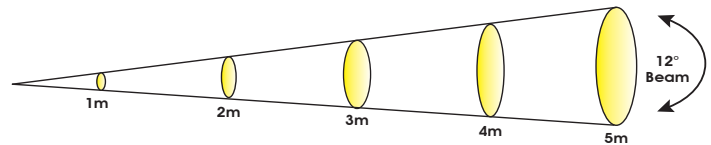
**INCLUDED ITEMS**

- Integrated Yoke/Handle
- powerCON Cable
- Rotating Barn Door
- Gel Frame

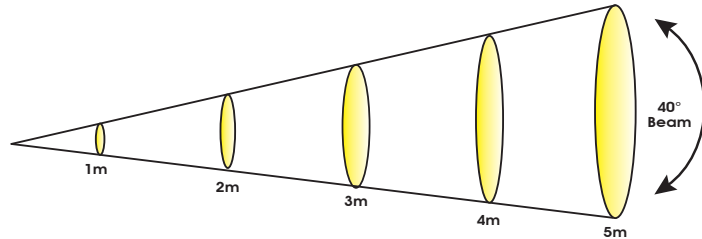
**Gel Frame (included)**



**PHOTOMETRIC DATA**

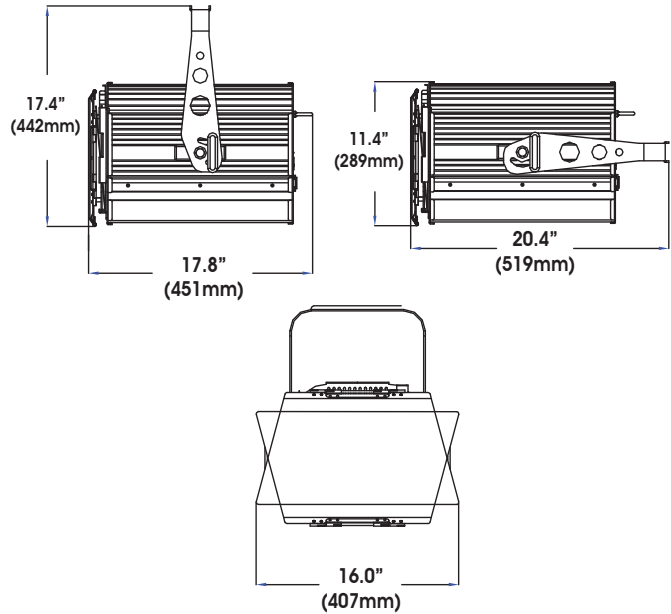


Distance	1m		2m		3m		4m		5m	
	m	ft	m	ft	m	ft	m	ft	m	ft
12°	1	3.3	2	6.6	3	9.8	4	13.1	5	16.4
FULL ON	lux	fc	lux	fc	lux	fc	lux	fc	lux	fc
	66,130	6,143	20,070	1,865	9,897	919	5,207	484	3,350	311



Distance	1m		2m		3m		4m		5m	
	m	ft	m	ft	m	ft	m	ft	m	ft
40°	1	3.3	2	6.6	3	9.8	4	13.1	5	16.4
FULL ON	lux	fc	lux	fc	lux	fc	lux	fc	lux	fc
	14,400	1,338	4,745	441	2,457	228	1,385	129	940	87

**DIMENSIONAL DIAGRAMS**



**OPTIONAL ACCESSORIES**

ORDER CODE	ITEM
TRIGGER CLAMP	Heavy Duty Wrap Around Hook Style Clamp
LSF536	Light Shaping Filter 30° 20" x 24" Sheet
LSF537	Light Shaping Filter 20° 20" x 22" Sheet
LSF538	Light Shaping Filter 60° x 1° 20" x 24" Sheet
LSF559	Light Shaping Filter 10° 20" x 24" Sheet
EWDMMXSYSTEM	Wireless DMX System (1 Transmitter, 1 Receiver)
EWDMMXT	Wireless DMX Transmitter
EWDMMXR	Wireless DMX Receiver
AC5PDMX5PRO	5 ft. (1.5m) 5pin PRO DMX Cable
AC5PDMX10PRO	10 ft. (3m) 5pin PRO DMX Cable
AC5PDMX15PRO	15 ft. (4.5m) 5pin PRO DMX Cable
	Additional cable lengths available: 25, 50, 100 ft (7.5, 15.2, 30.5m)

